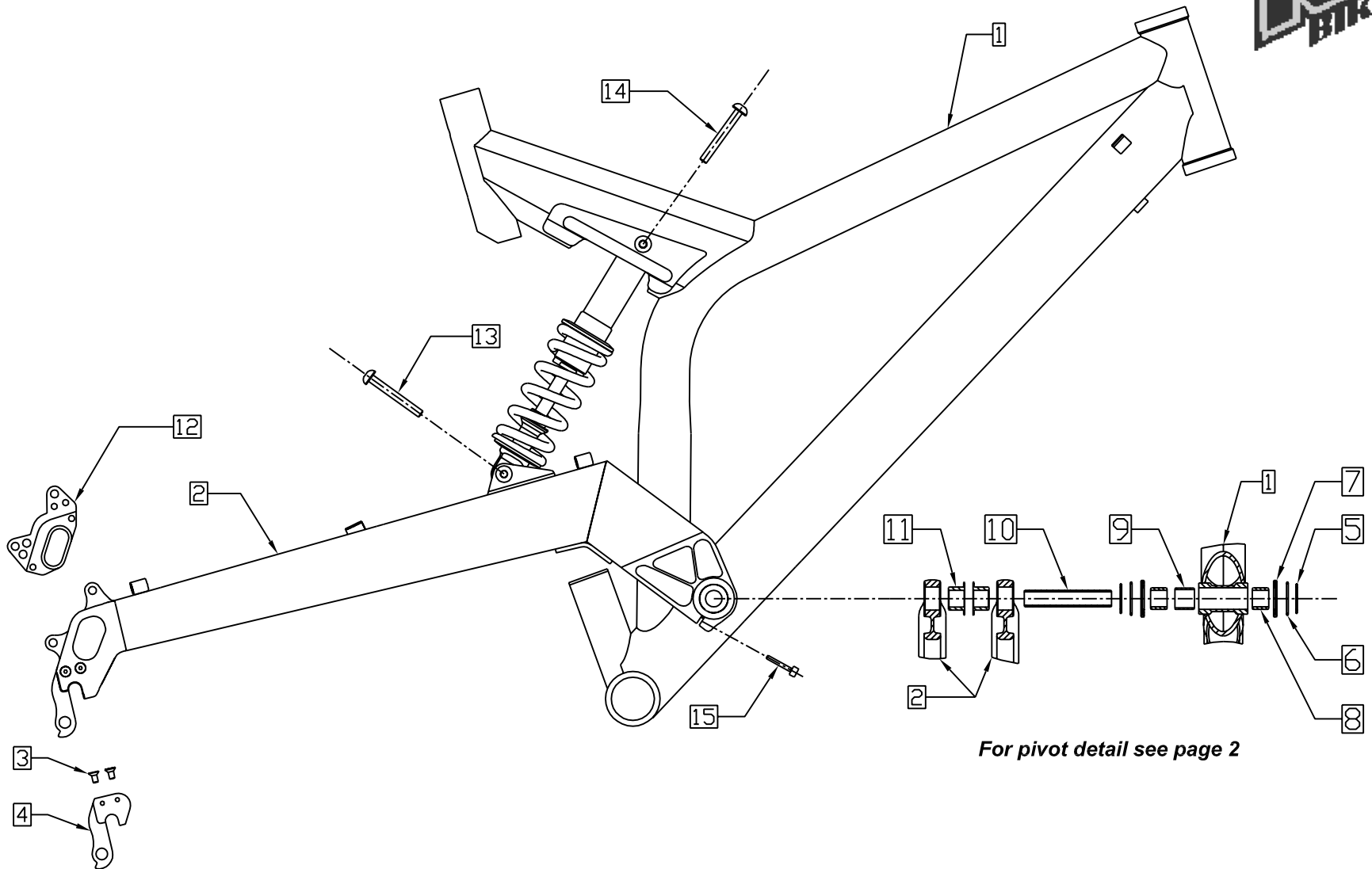
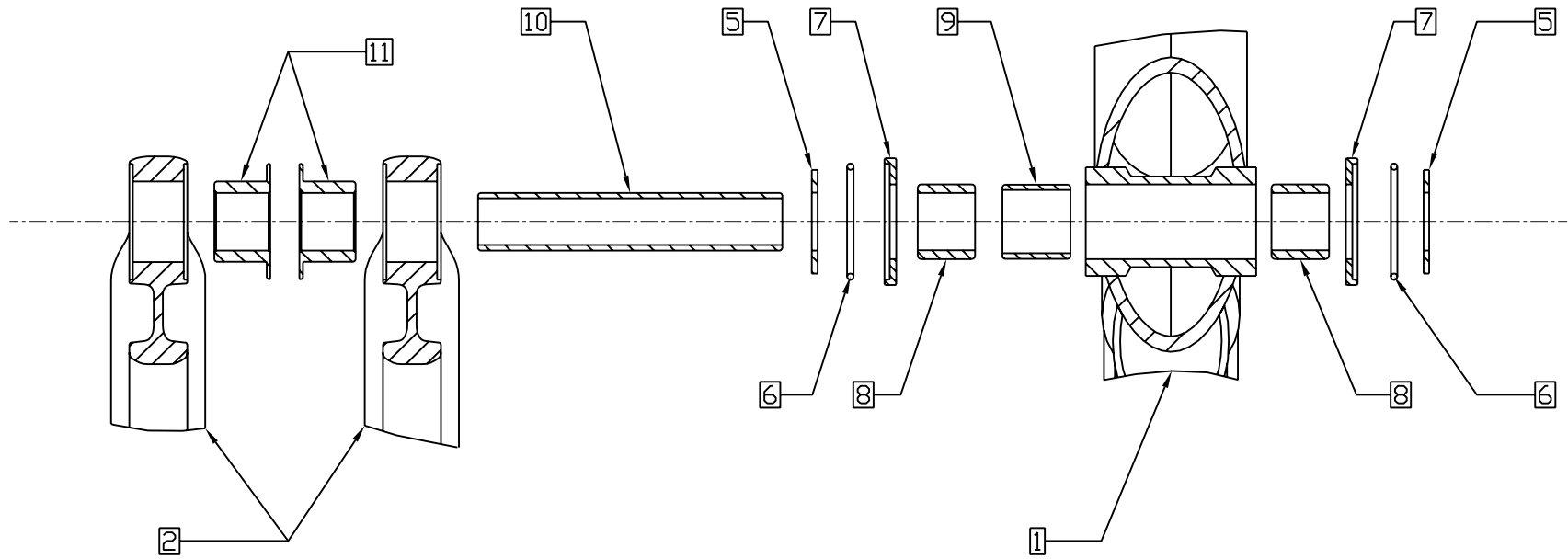


2000 EVO FRAME ASSEMBLY



2000 EVO PIVOT ASSEMBLY



2000 EVO FRAME ASSEMBLY

ITEM#	PART#	KIT#	QTY.	DESCRIPTION
1	K003629251		1	00 FRONT TRIANGLE, EVO 2.0 SMALL
1	K003629451		1	00 FRONT TRIANGLE, EVO 2.0 MEDIUM
1	K003629651		1	00 FRONT TRIANGLE, EVO 2.0 LARGE
1	K003629851		1	00 FRONT TRIANGLE, EVO 2.0 WAY BIG
1	K003630251		1	00 FRONT TRIANGLE, EVO 3.0 SMALL
1	K003630451		1	00 FRONT TRIANGLE, EVO 3.0 MEDIUM
1	K003630651		1	00 FRONT TRIANGLE, EVO 3.0 LARGE
1	K003630851		1	00 FRONT TRIANGLE, EVO 3.0 WAY BIG
1	K003631251		1	00 FRONT TRIANGLE, EVO 4.0 SMALL
1	K003631451		1	00 FRONT TRIANGLE, EVO 4.0 MEDIUM
1	K003631651		1	00 FRONT TRIANGLE, EVO 4.0 LARGE
1	K003631851		1	00 FRONT TRIANGLE, EVO 4.0 WAY BIG
1	K003632251		1	00 FRONT TRIANGLE, EVO DISCO MONKEY SMALL
1	K003632451		1	00 FRONT TRIANGLE, EVO DISCO MONKEY MEDIUM
1	K003632651		1	00 FRONT TRIANGLE, EVO DISCO MONKEY LARGE
1	K003632851		1	00 FRONT TRIANGLE, EVO DISCO MONKEY WAY BIG
2	K003633051		1	00 SWINGARM, EVO 2.0
2	K003633052		1	00 SWINGARM, EVO 3.0
2	15482		1	00 SWINGARM, EVO 4.0
2	K003633053		1	00 SWINGARM, EVO DISCO MONKEY
3	14995	RK011	2	SCREW M4 X 8 FHCS
4	14926-1	RK011	1	DERAILLEUR HANGER KIT FS BIKES
5	16139	RK012	2	THRUST BEARING
6	16263	RK012	2	O-RING
7	16159		2	PIVOT INSERT
8	16137	RK012	2	NEEDLE BEARING
9	16138		1	BEARING SPACER
10	16093	RK012	1	PIVOT AXLE
11	16136		2	SPACER THROUGH AXLE
12	5996	5996	1	INTERNATIONAL STANDARD DISK BRAKE ADAPTOR
13	16181		1	SCREW M6 X 1 X 38 BHCS
14	14785		1	SCREW M6 X 1 X 45 BHCS (LG/WB)
14	15945		1	SCREW M6 X 1 X 52 BHCS (SM/MD)
15	14474		1	SCREW M6 X 1 X 20 SHCS



19215 Vashon Hwy. S.W. • Vashon WA 98070 • 206 463 8800 • www.k2bikes.com